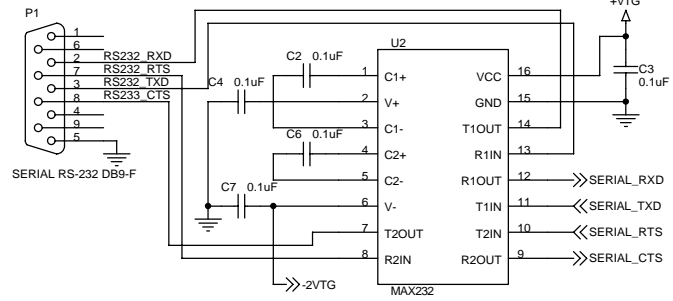
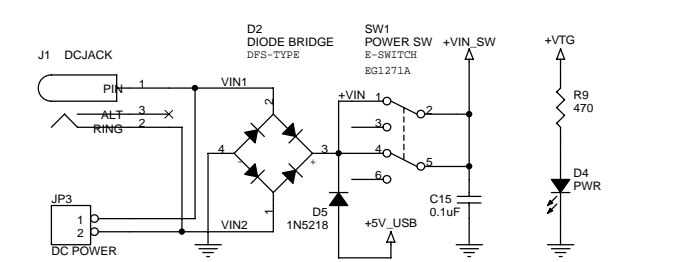


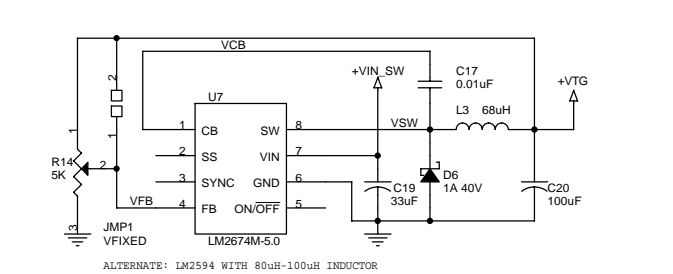
RS-232 SERIAL INTERFACE



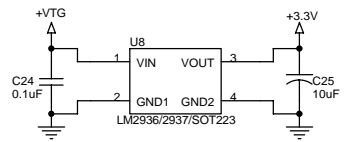
POWER JACK / SWITCH / POWER LED



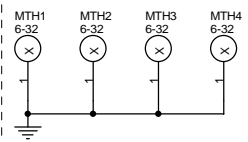
MAIN 5V SWITCHING REGULATOR



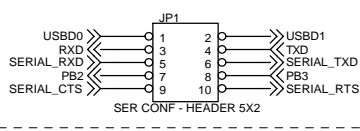
MAIN 3.3V LINEAR LDO REGULATOR



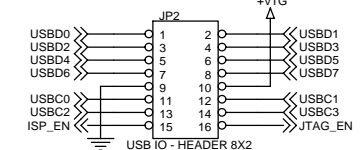
MOUNTING HOLES



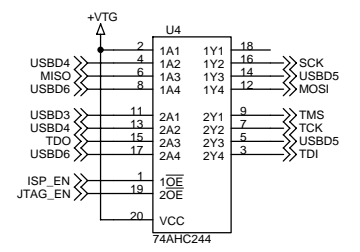
SERIAL CONFIG HEADER



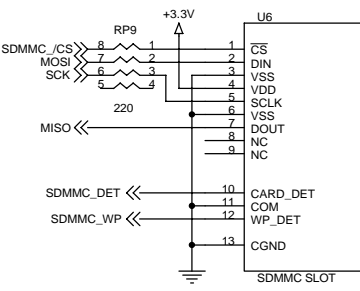
USB I/O AND CONFIG HEADER



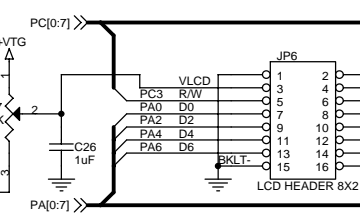
USB-TO-ISP/JTAG BUFFER



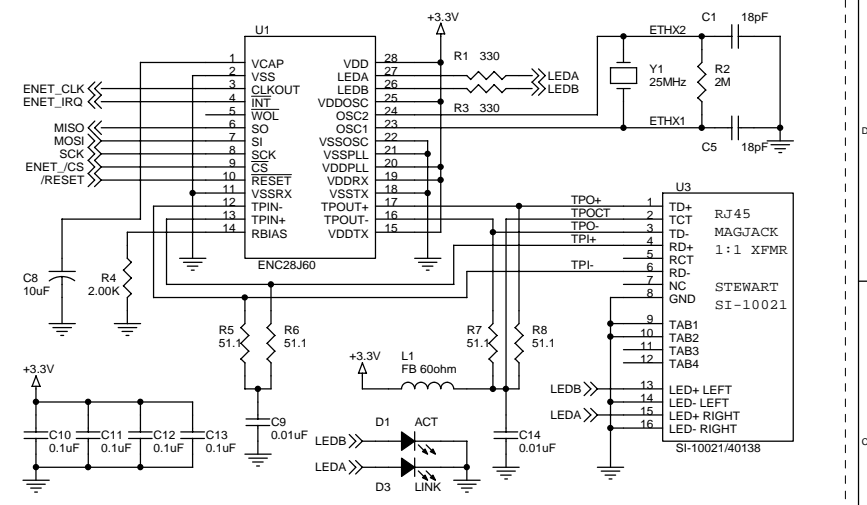
MMC/SD FLASH CARD INTERFACE



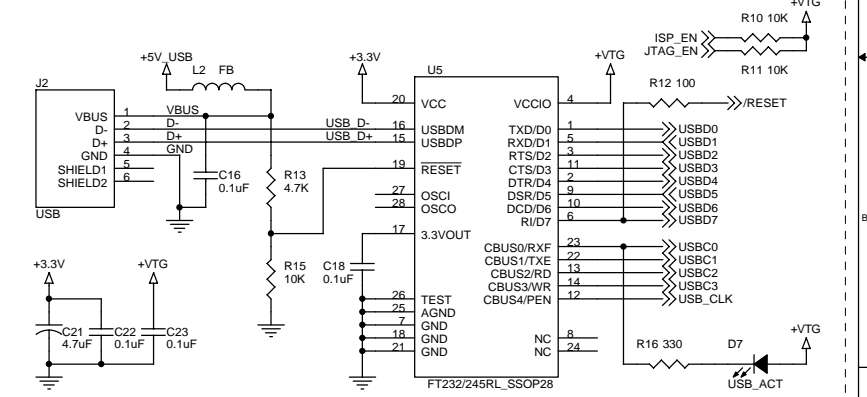
HD44780 CHARACTER LCD INTERFACE



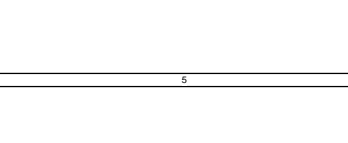
ENC28J60 10MBIT ETHERNET INTERFACE MAC/PHY



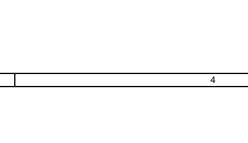
FTDI USB INTERFACE



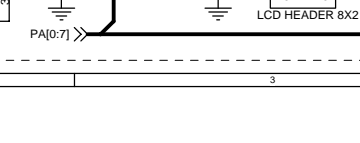
MAIN 3.3V LINEAR LDO REGULATOR



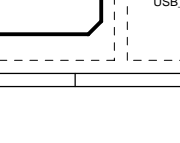
MOUNTING HOLES



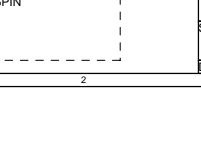
HD44780 CHARACTER LCD INTERFACE



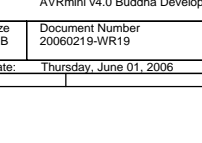
5-PIN MINI-USB



CHIP SEL AND IRQ CONFIG



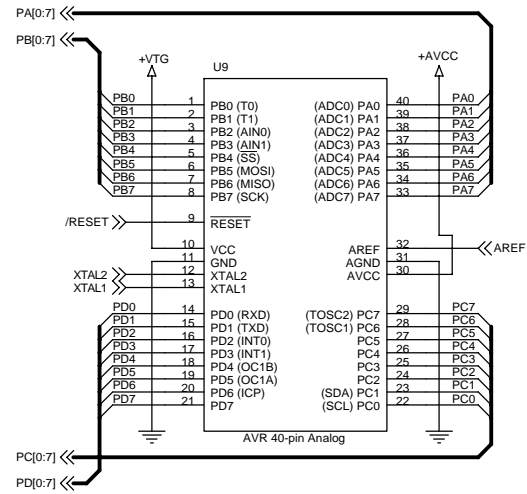
AUX CLOCK SOURCE



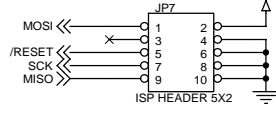
PROCYONENGINEERING
Pascal Stang - Copyright 2002-2006

Title	AVRmini v4.0 Buddha Development Board - Interface	
Size	Document Number	Rev
B	20060219-WR19	A
Date:	Thursday, June 01, 2006	Sheet 1 of 2

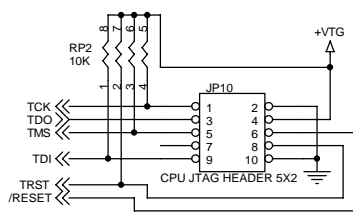
AVR 40-PIN PROCESSORS WITH A/D



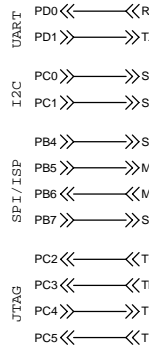
AVR ISP HEADER



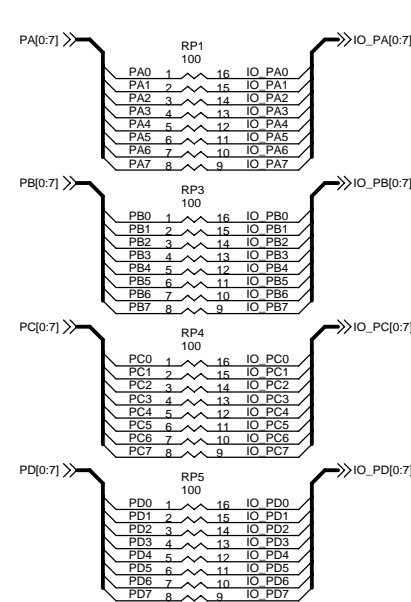
AVR JTAG HEADER



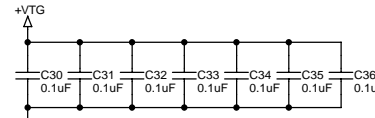
I/O PIN MAPPING



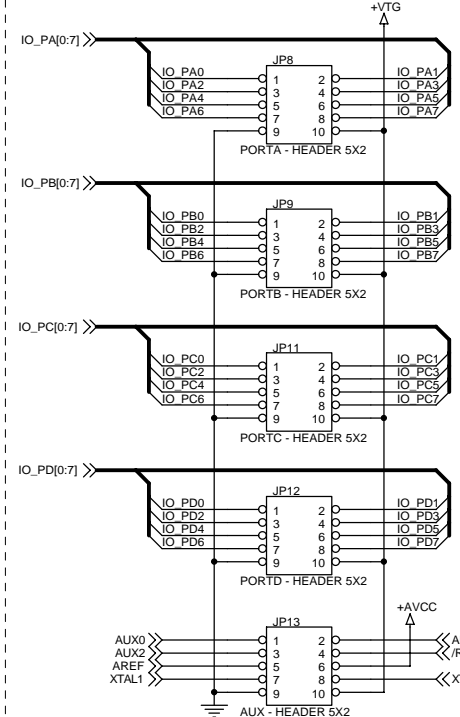
I/O PORT PROTECTION RESISTORS



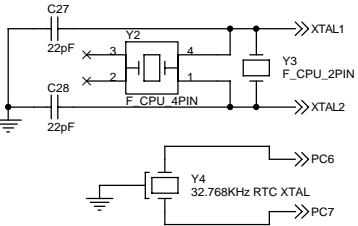
I/O HEADER BYPASS CAPACITORS



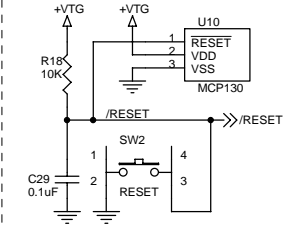
I/O PORT HEADERS



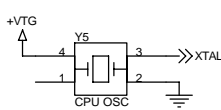
MAIN CLOCK AND RTC CRYSTALS



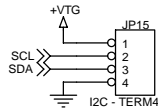
RESET CIRCUIT



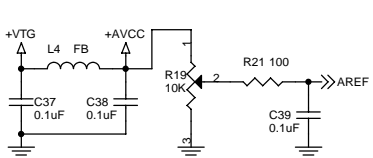
CPU EXTERNAL OSCILLATOR (OPTIONAL)



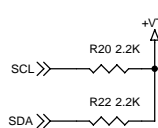
I2C INTERFACE CONNECTOR



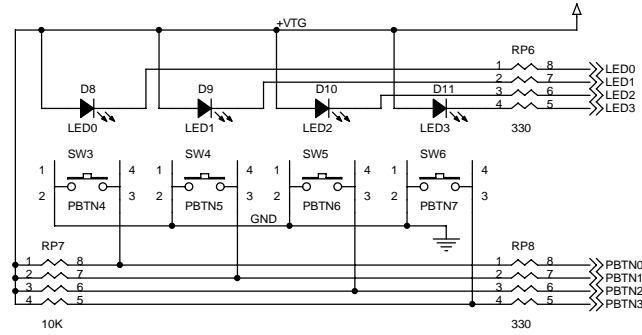
CPU BYPASS CAPS AND ANALOG REFERENCE



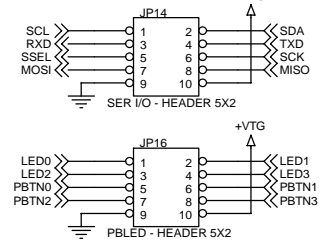
I2C PULLUP RESISTORS



PUSHBUTTONS AND LEDs



SPECIAL PURPOSE I/O HEADERS



Pascal Stang - Copyright 2002-2006

Title AVRmini v4.0 Buddha Development Board - Processor and I/O

Size B Document Number 20060219-WR19 Rev A

Date: Thursday, June 01, 2006 Sheet 2 of 2