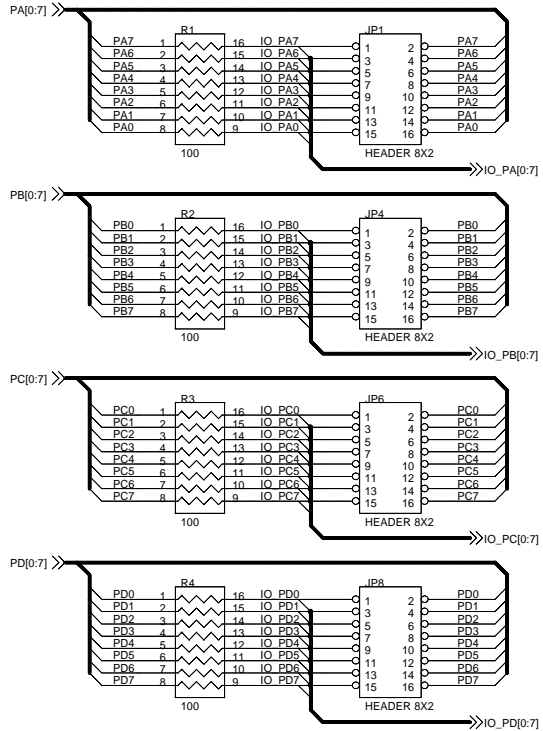
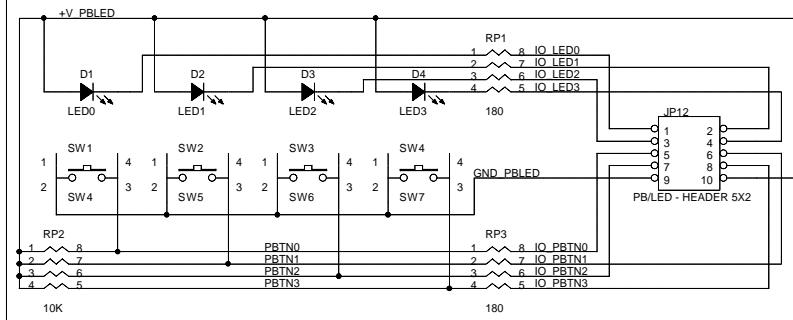


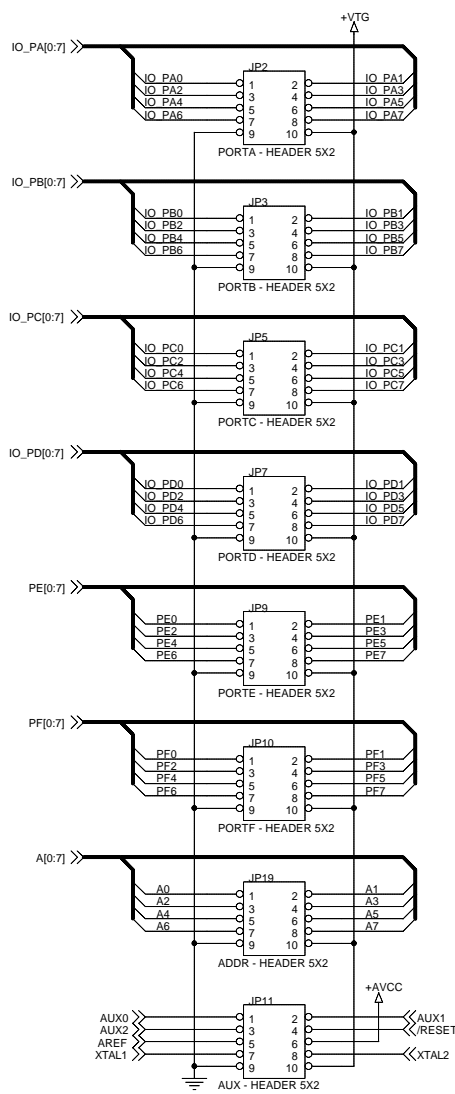
I/O PORT PROTECTION RESISTORS



PUSHBUTTONS AND LEDS



I/O PORT HEADERS



Pascal Stang - Copyright 2002
Santa Clara University RSL / Procyon Engineering

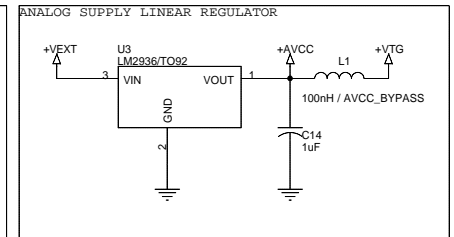
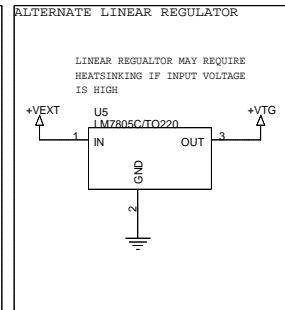
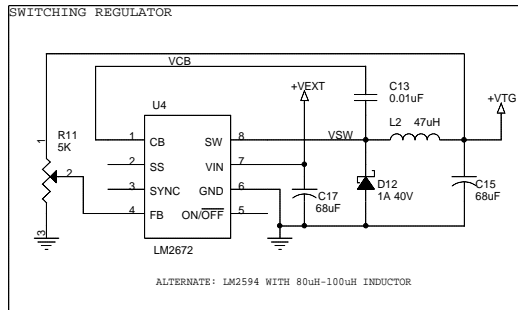
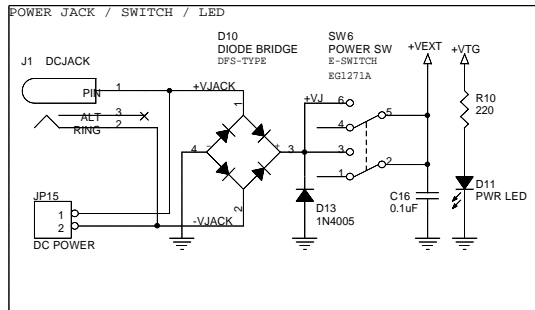
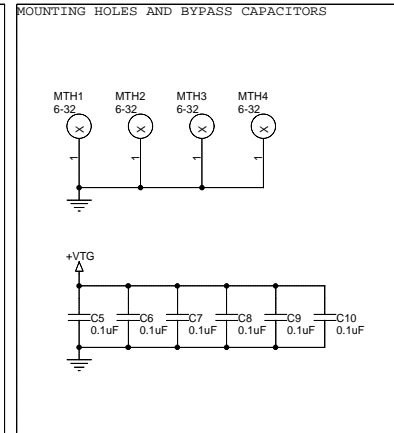
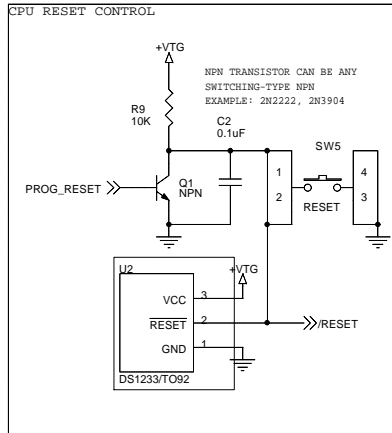
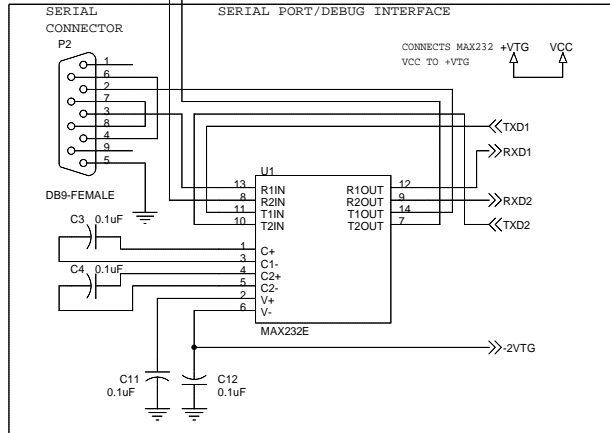
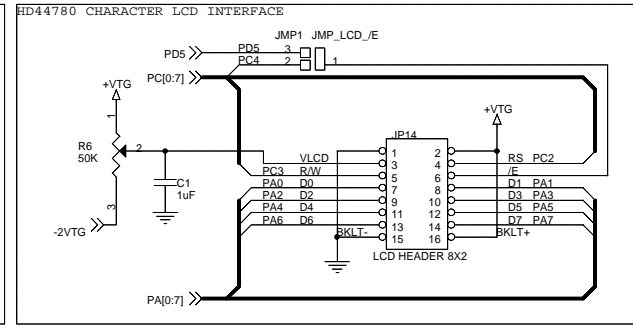
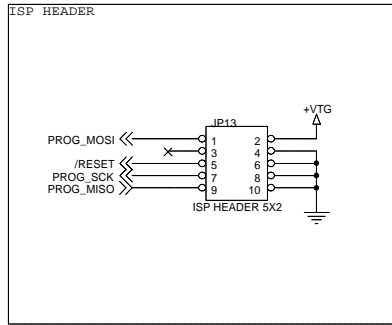
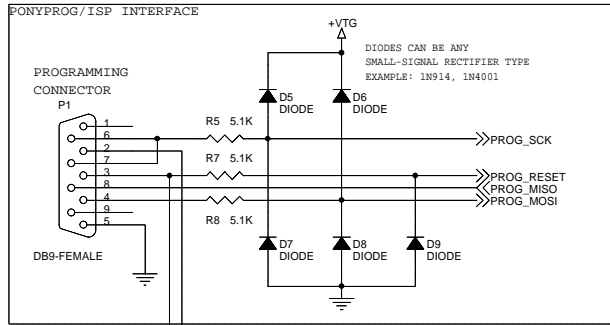
Title AV/RminiV3.1 Development System - I/O Ports

Size B Document Number 10-29-2002-0004

Date: Monday, October 07, 2002

Sheet 1 of 3

Rev A

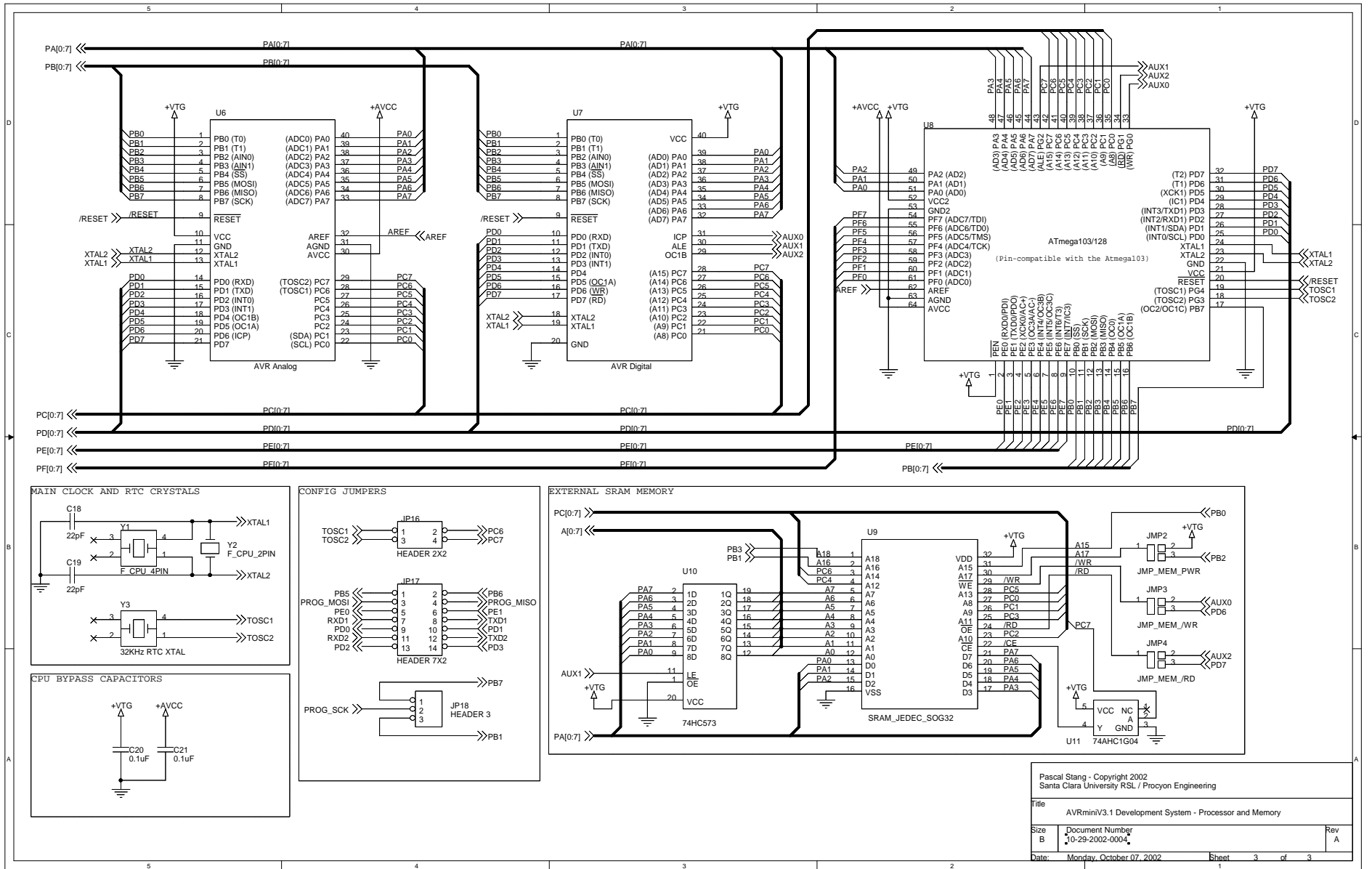


Pascal Stang - Copyright 2002
Santa Clara University RSL / Procyon Engineering

Title: AVRminiV3.1 Development System - Interface and Power

Size B	Document Number 10-29-2002-0004	Rev A
--------	---------------------------------	-------

Date: Monday, October 07, 2002 Sheet 2 of 3



Pascal Stang - Copyright 2002
 Santa Clara University RSL / Procyon Engineering

Title		
AVRminiV3.1 Development System - Processor and Memory		
Size	Document Number	Rev
B	10-29-2002-0004	A
Date:	Monday, October 07, 2002	Sheet 3 of 3